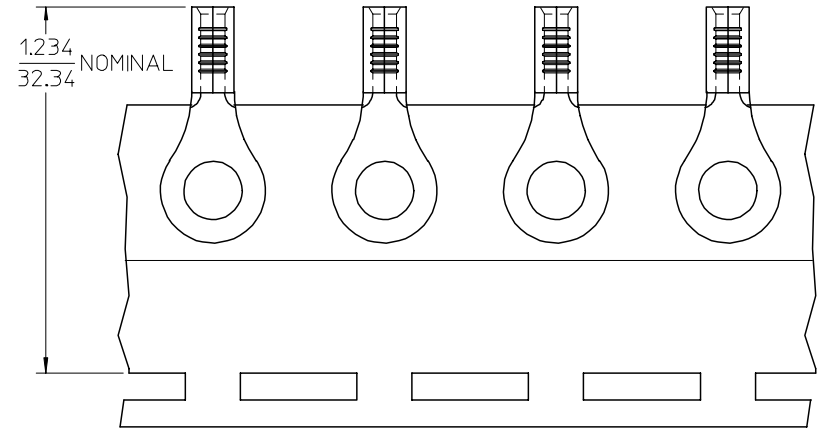
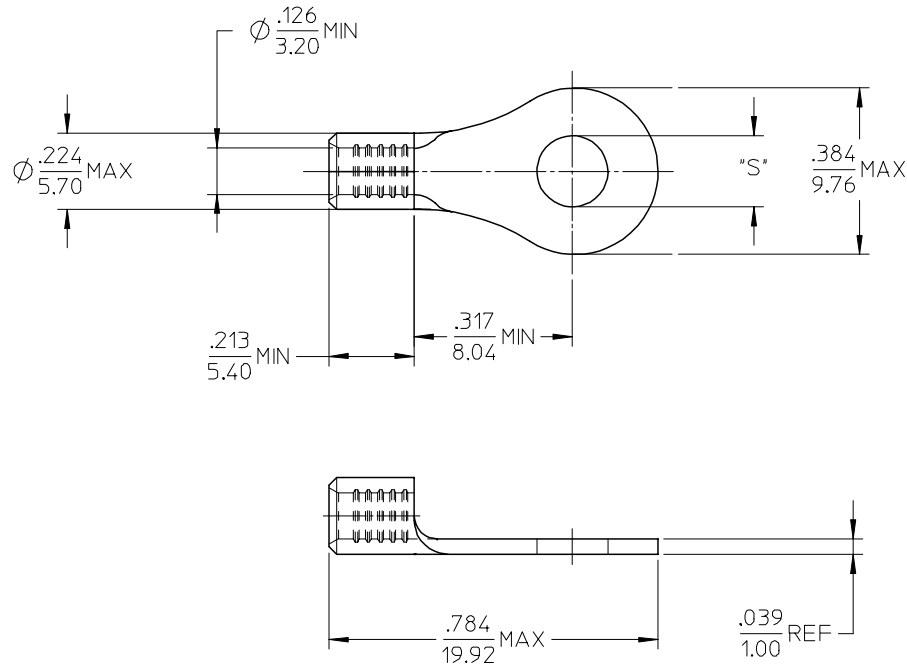


MATERIAL NO.	ENG. NO.	STUD SIZE	"S" MAX	DESCRIPTION
192030494	C-S-128-08	8	.172/4.37	LOOSE
192030278	C-S-128-08T	8	.172/4.37	TAPE



PARTS ON TAPE

NOTE(S):

- MATERIAL: STEEL
- WIRE SIZE: 12-10 AWG (4.0-6.0 MM²)
- FINISH: NICKEL PLATING
- PART IS ROHS COMPLIANT.
- (B) AMBIENT OPERATING TEMPERATURE UP TO 900 °F (483 °C).

ADDED OPERATING TEMP		QUALITY SYMBOLS	GENERAL TOLERANCES (UNLESS SPECIFIED)		DIMENSION STYLE		SCALE	DESIGN UNITS	THIRD ANGLE PROJECTION
EC NO:	DATE		mm	INCH	IN/MM	INCH	INCH		
ETC2007-0297	2007/03/13	▽=0 ▽=0	4 PLACES	± ---	± ---	DRAWN BY	DATE	TITLE RING TONGUE TERMINAL, 12-10 AWG, KRIMP TITE, 900 DEG F (483 DEG C)	
DRW: NEHLE	2007/03/13		3 PLACES	± ---	± ---	EHILE	2006/09/22		
CHKD: JMACNEIL	2007/03/13		2 PLACES	± ---	± ---	CHECKED BY	DATE		
APPR: JMACNEIL	2007/03/14		1 PLACE	± ---	± ---	JMACNEIL	2006/09/22		
			ANGULAR	± ---°	± ---°	APPROVED BY	DATE		
					JMACNEIL	2006/09/22	MATERIAL NO.	DOCUMENT NO.	SHEET NO.
						SEE CHART		SD-19203-032	1 OF 1
			DRAFT WHERE APPLICABLE MUST REMAIN WITHIN DIMENSIONS			THIS DRAWING CONTAINS INFORMATION THAT IS PROPRIETARY TO MOLEX INCORPORATED AND SHOULD NOT BE USED WITHOUT WRITTEN PERMISSION			