

4

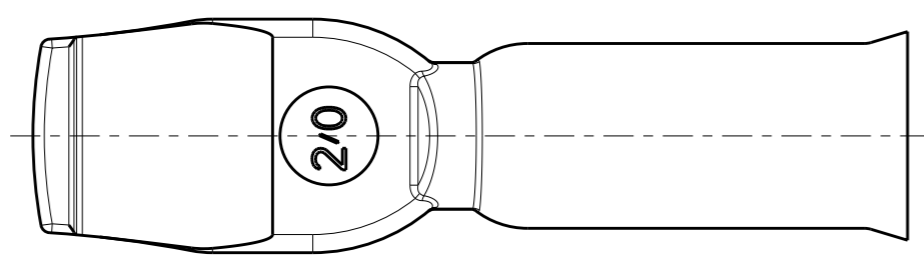
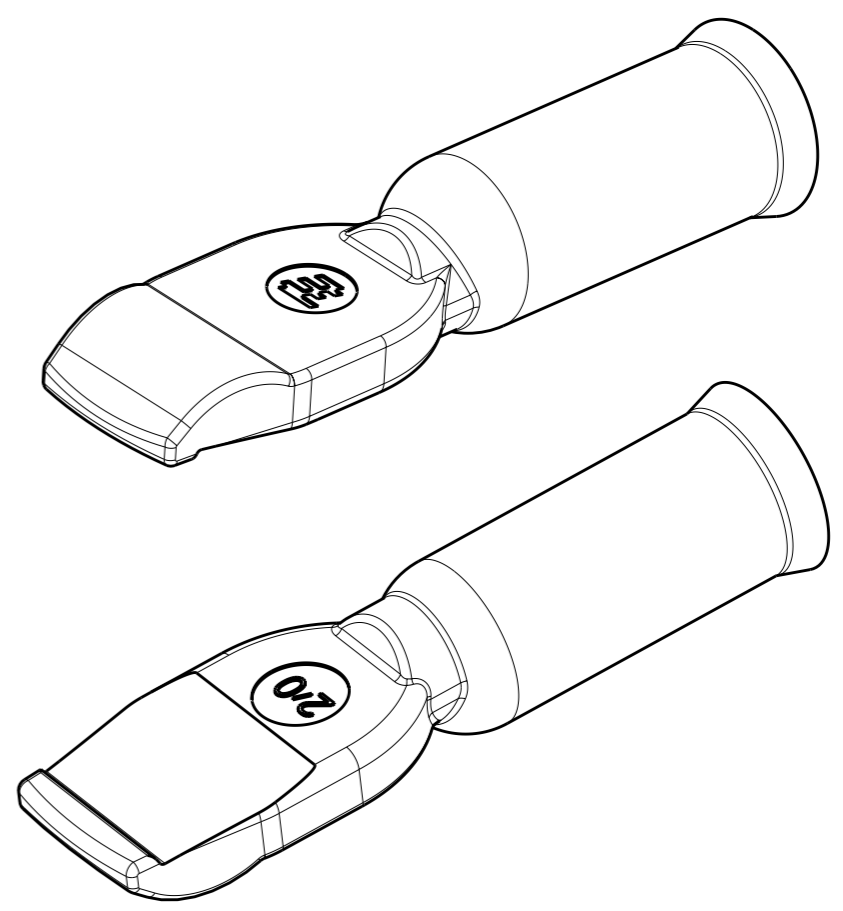
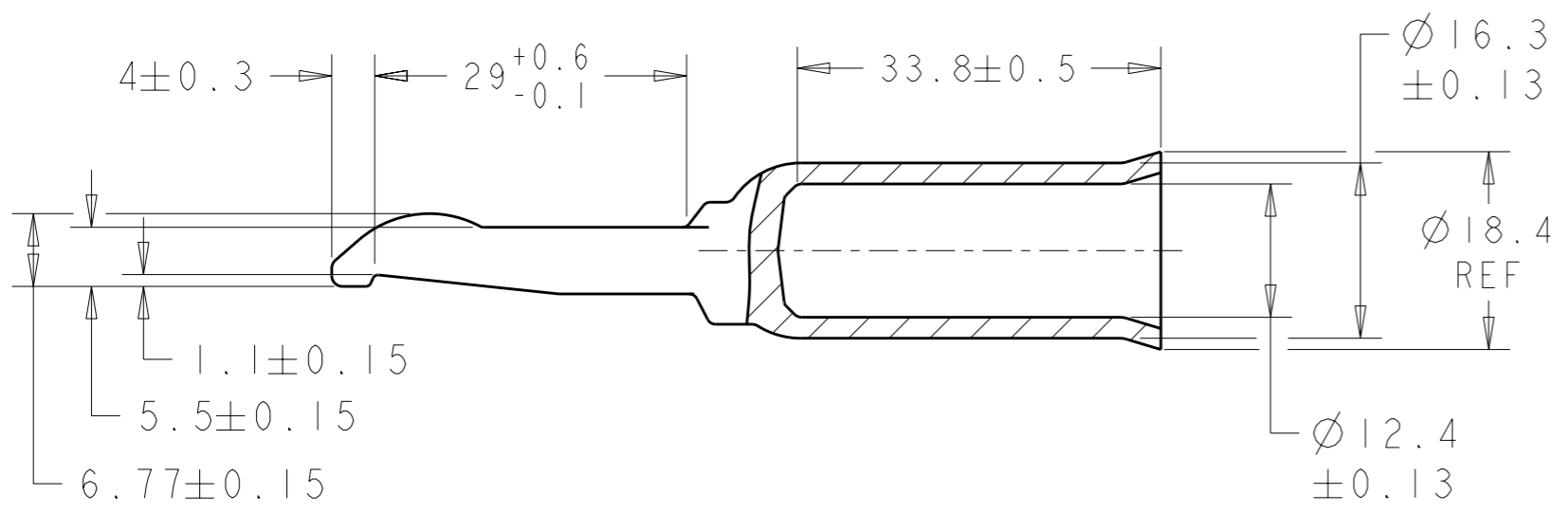
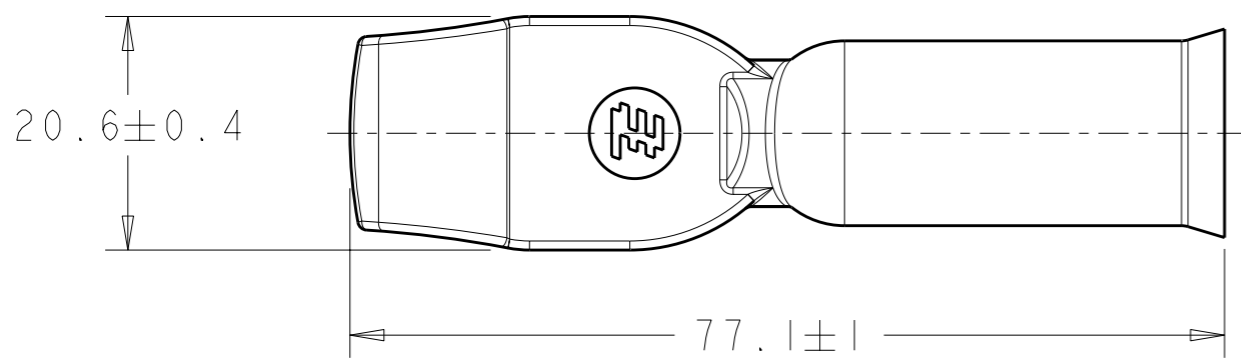
3

2

1

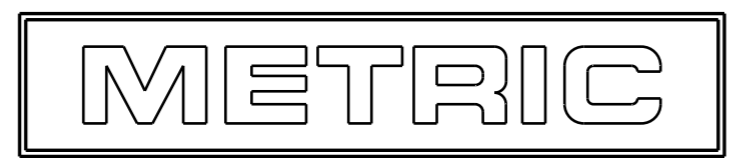
THIS DRAWING IS UNPUBLISHED. RELEASED FOR PUBLICATION 20
 © COPYRIGHT 20 BY TYCO ELECTRONICS CORPORATION. ALL RIGHTS RESERVED.

LOC	DIST	REVISIONS				
P	LTR	DESCRIPTION	DATE	DWN	APVD	
CM	0	B	REV PER ECR 10-006756	01APR10	JR SM	



- 1. MATERIAL: COPPER ALLOY
- 2. FINISH: PLATED SILVER

AS SHOWN	1604054-1
DESCRIPTION	PART NUMBER



<small>THIS DRAWING IS A CONTROLLED DOCUMENT FOR TYCO ELECTRONICS CORPORATION. IT IS SUBJECT TO CHANGE AND THE CONTROLLING ENGINEERING ORGANIZATION SHOULD BE CONTACTED FOR THE LATEST REVISION.</small>		DWN Brent D. Yohn 09APR2002 CHK W.H. BERNHART 09APR2002 APVD W.H. BERNHART 09APR2002		tyco Tyco Electronics Electronics Harrisburg, PA 17105-3608	
DIMENSIONS: mm 		TOLERANCES UNLESS OTHERWISE SPECIFIED: 0 PLC ±- 1 PLC ±0.3 2 PLC ±0.13 3 PLC ±0.050 4 PLC ±- ANGLES ±1°		NAME CONTACT, AMP POWER SERIES 350, 2/0 AWG	
MATERIAL -		FINISH -		PRODUCT SPEC - APPLICATION SPEC - WEIGHT -	
CUSTOMER DRAWING		SCALE 3:2		SHEET 1 OF 1 REV B	