

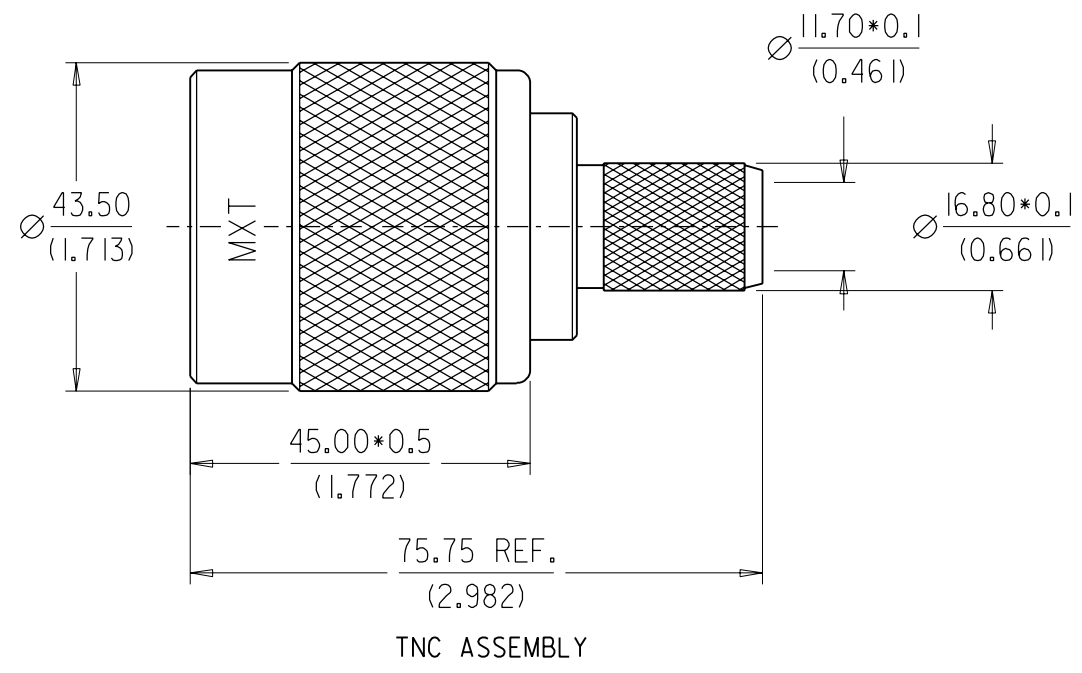
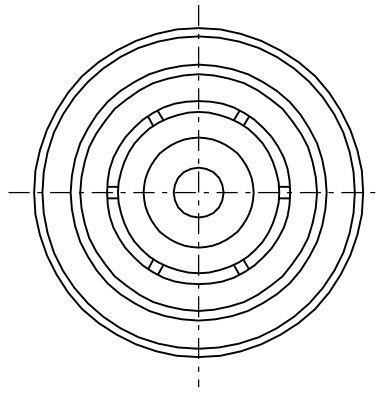
ENG. NO.

EDP NO.

SIMILAR ITEM

CADFILE NO.

DO NOT SCALE DRAWING



**CABLE ATTACHMENT:**

INNER CONTACT ATTACHMENT--SOLDER/CRIMP (HEX: 1.69)  
 OUTER CONDUCTOR -----CRIMP (HEX.: 6.48)  
 ASSEMBLY INSTRUCTION -----AS-73597-0032

**CONSTRUCTION:**

COUPLING NUT-----ZINC ALLOY  
 CONNECTOR BODY-----BRASS  
 DIELECTRIC-----DURACON  
 OUTER CONTACT-----BRASS  
 CENTER CONTACT-----BRASS  
 SLEEVE-----BRASS  
 RETAINING RING-----BRASS  
 WASHER-----BRASS  
 GASKET-----SILICONE RUBBER

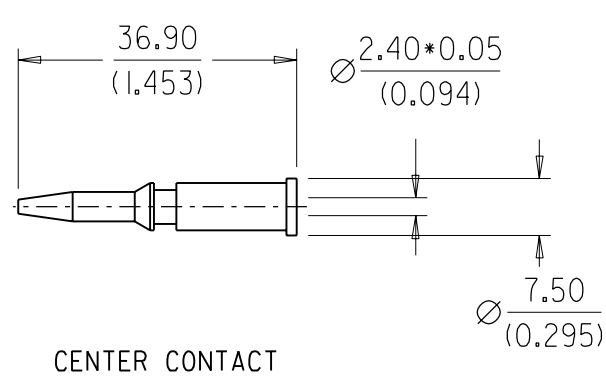
**FINISH :**

COUPLING NUT-----NICKEL PLATING  
 CONNECTOR BODY-----NICKEL PLATING  
 OUTER CONTACT-----NICKEL PLATING  
 CENTER CONTACT-----SILVER PLATING  
 SLEEVE-----NICKEL PLATING  
 RETAINING RING -----NICKEL PLATING  
 WASHER-----NICKEL PLATING

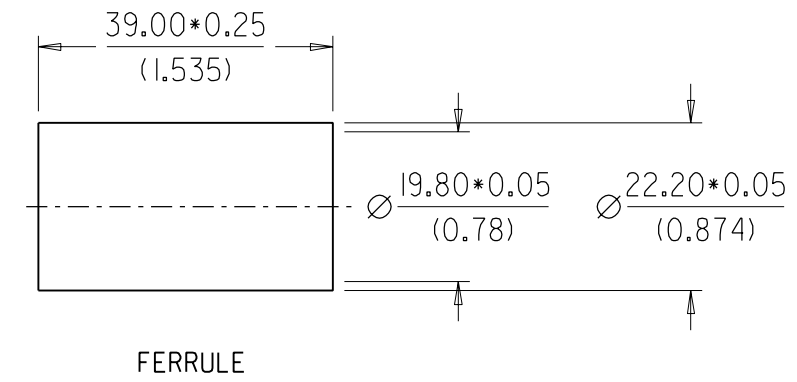
**MECHANICAL & ELECTRICAL CHARACTERISTICS:**  
 PER PRODUCT SPECIFICATION PS-73598-0064

**MATERIAL & FINISHES:**  
 PER PRODUCT SPECIFICATION PS-73598-0064

**PACKAGINGS:**  
 INDIVIDUAL PLASTIC BAGS.



CENTER CONTACT

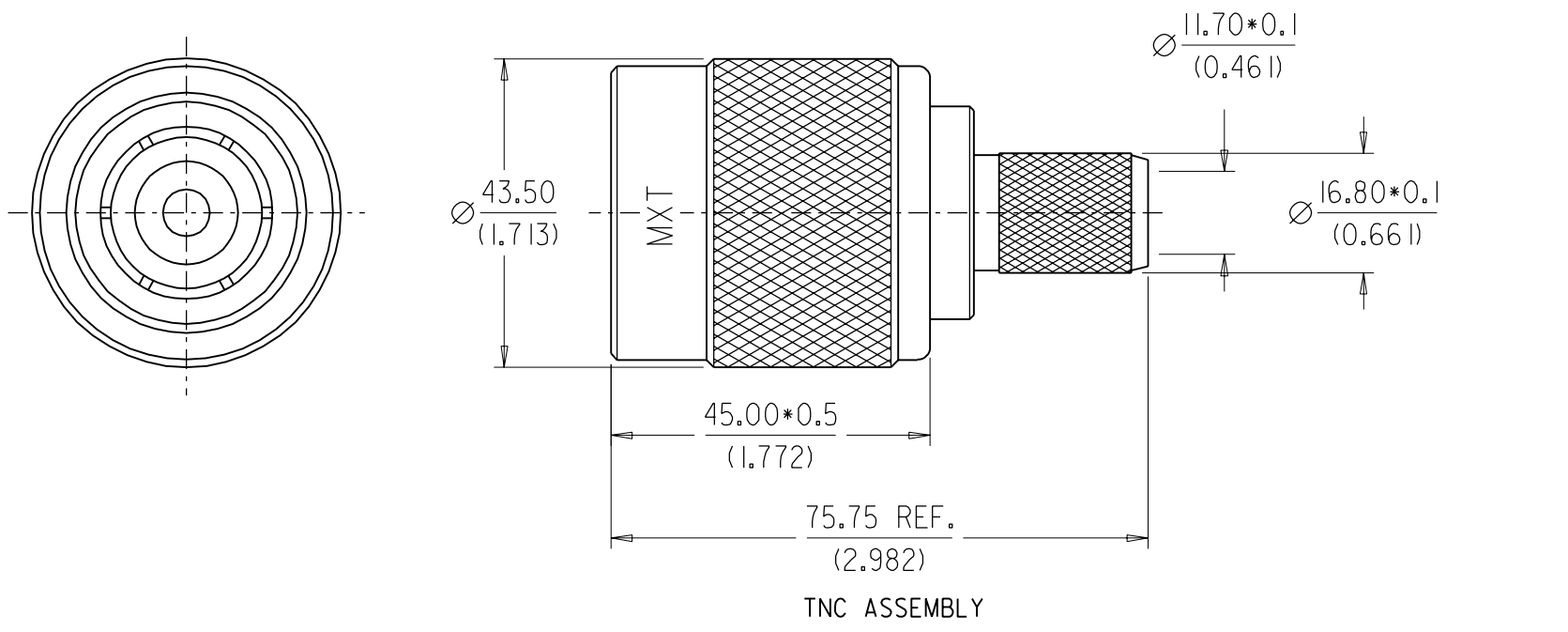


FERRULE

TNC ASSEMBLY

					MATERIAL : SEE NOTE		MOLEX TAIWAN LTD. ( R.F. DIVISION )
					FINISH : SEE NOTE		
					SCALE : 3:1	UNIT : mm(INCH)	
					DRAWN BY :		GENERAL TOLERANCES ANGLE : ± 3° DIM. ± 0.25 (±.01)
					CHK'D BY :		DRW. NO.: SDA-73179-5001 REV A
					APPR'D BY :		TITLE : 50 OHM TNC STRAIGHT PLUG FOR RG59B/U, RG62A/U CRIMP/CRIMP (CAPTIVE)
STANDARD ITEM <input type="checkbox"/> YES <input checked="" type="checkbox"/> NO					SHEET   OF		

ENG. NO.  
EDP NO.  
SIMILAR ITEM  
CADFILE NO.



**CABLE ATTACHMENT:**  
 INNER CONTACT ATTACHMENT--SOLDER/CRIMP (HEX: 1.69)  
 OUTER CONDUCTOR -----CRIMP (HEX.: 6.48)  
 ASSEMBLY INSTRUCTION -----AS-73597-0032

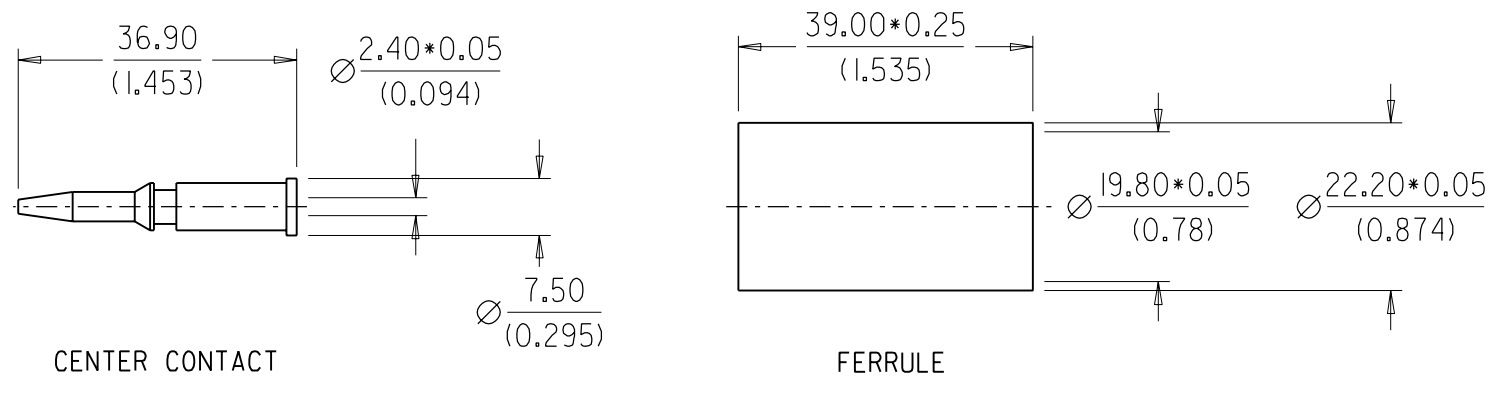
**CONSTRUCTION:**  
 COUPLING NUT-----ZINC ALLOY  
 CONNECTOR BODY-----BRASS  
 DIELECTRIC-----DURACON  
 OUTER CONTACT-----BRASS  
 CENTER CONTACT-----BRASS  
 SLEEVE-----BRASS  
 RETAINING RING-----BRASS  
 WASHER-----BRASS  
 GASKET-----SILICONE RUBBER

**FINISH :**  
 COUPLING NUT-----NICKEL PLATING  
 CONNECTOR BODY-----NICKEL PLATING  
 OUTER CONTACT-----NICKEL PLATING  
 CENTER CONTACT-----SILVER PLATING  
 SLEEVE-----NICKEL PLATING  
 RETAINING RING -----NICKEL PLATING  
 WASHER-----NICKEL PLATING

**MECHANICAL & ELECTRICAL CHARACTERISTICS:**  
 PER PRODUCT SPECIFICATION PS-73598-0064

**MATERIAL & FINISHES:**  
 PER PRODUCT SPECIFICATION PS-73598-0064

**PACKAGINGS:**  
 INDIVIDUAL PLASTIC BAGS.



DO NOT SCALE DRAWING

					MATERIAL : SEE NOTE		<b>MOLEX TAIWAN LTD.</b> ( R.F. DIVISION )
					FINISH : SEE NOTE		
					SCALE : 3:1	UNIT : mm(INCH)	
					DRAWN BY :		GENERAL TOLERANCES ANGLE : ± 3° DIM. ± 0.25 (±.01)
					CHK'D BY :		DRW. NO.: SDA-73179-5001 REV A
					APPR'D BY :		TITLE : 50 OHM TNC STRAIGHT PLUG FOR RG59B/U, RG62A/U CRIMP/CRIMP (CAPTIVE)
					STANDARD ITEM <input type="checkbox"/> YES <input checked="" type="checkbox"/> NO		SHEET 1 OF 1