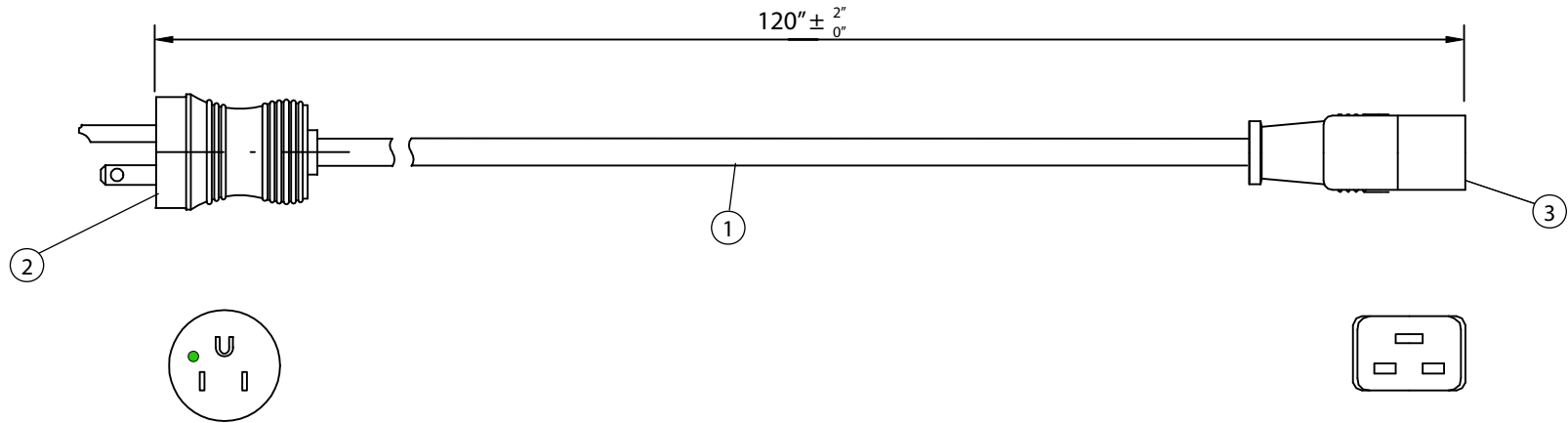


THESE DRAWINGS ARE THE PROPERTY OF QUALTEK ELECTRONICS AND NOT TO BE REPRODUCED FOR OR COMMUNICATED TO A THIRD PARTY WITHOUT THE EXPRESS WRITTEN PERMISSION OF AN OFFICER OF QUALTEK ELECTRONICS.

REVISION			
REV.	DESCRIPTION	DATE	APPROVED



NOTES:

1. CORDAGE: SJT, 14AWG / 3C , UNSHIELDED, NA COLOR CODE, TEMP. RATING 60°C, RATING: 125V, 15A, JACKET COLOR: GRAY
2. PLUG: NEMA 5-15P HOSPITAL GRADE (GRAY)
3. CONNECTOR: IEC 60320 C19
4. APPROVALS: UL, CSA
5. ROHS COMPLIANT

CONTROLLED

Dim range (mm)	Tolerance +/- (mm)	Qualtek Electronics Corp. PPC DIVISION		
		Part Number:	233082-06	RoHS Compliant
0-1	0.15	Description: POWER CORD HOSPITAL GRADE		
1-6	0.20			
6-18	0.30			
18-50	0.50	UNIT: in		
50-120	0.70	Drawn / Date	Checked / Date	Approved / Date
120-250	0.90	R.Nuti 10-23-07	10-23-07	JJH / 10-23-07
250-500	1.20			