

BS, C , 201843, 523

D

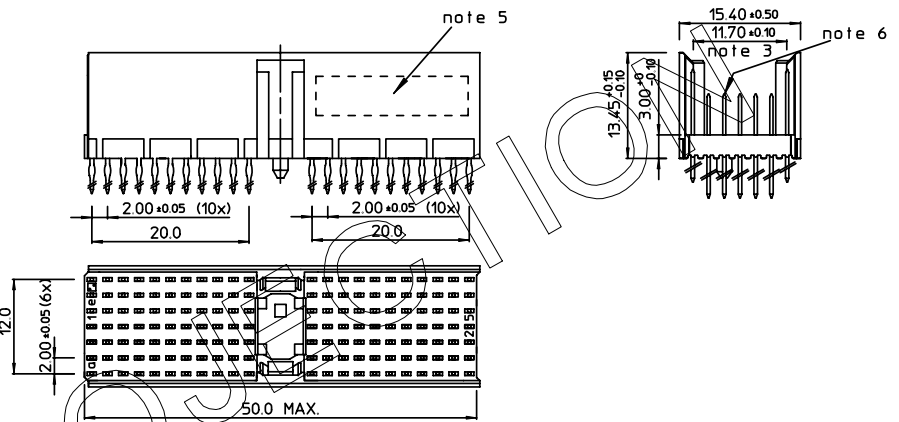
GEN. ST.	01	02	03	04	05	06	07	08	0D	50	60	70	80	90																	
INT. ST.	10	11	12	13	14	18	20	31	32	33	34	38	39	40	42	43	44	45	46	48	56	70	72	73	75	76	81	82	83	84	88

REV.	DATE	DESCRIPTION	BY	C'K'D'
A	2001-09-14	CONVERSION REVISION 02	KN	
B	2002-05-28	EC B20086	MF	
C	2005-10-29	105-0209	VIVEK	BKP
D	2006-07-10	106-0097	VIVEK	BKP

LOADING PATTERN MATING SIDE

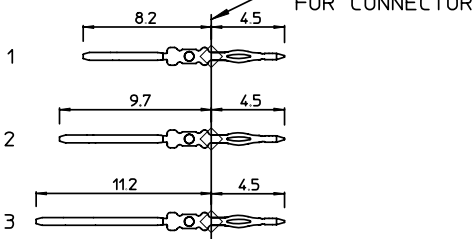
f	3	3	3	3	3	3	3	3	3	3	3	3	3	3	3	3	3	3	3	3	3	3	3	3	3	3	3	3	3	3	3					
e	1	1	1	1	1	1	1	1	1	1	1	1	1	1	2	2	2	3	2	2																
d	1	1	1	1	1	1	1	1	1	1	1	1	1	1	2	2	2	3	2	2																
c	1	1	1	1	1	1	1	1	1	1	1	1	1	1	2	2	2	3	2	2																
b	1	1	1	1	1	1	1	1	1	1	1	1	1	1	2	2	2	3	2	2																
a	1	1	1	1	1	1	1	1	1	1	1	1	1	1	2	2	2	3	2	2																
z	3	3	3	3	3	3	3	3	3	3	3	3	3	3	3	3	3	3	3	3																
POS	0	5	10	15	20	25																														

LOADED CONNECTOR ASSEMBLY (FOR EXAMPLE)

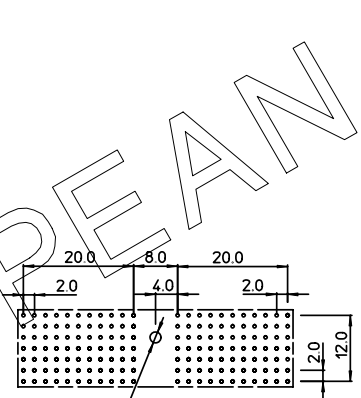


SHEET NR. : 627

CONTACT OVERVIEW



LAY-OUT P.C.B.-HOLE



LEAD FREE INDICATOR : LF = LEAD FREE (DIGIT 15 & 16)

HM2P07PCW191

PLATING CODE (DIGIT 13 AND 14)
(REF DWG No. BS, C , 201844.003)

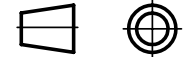
NOTES:

- THIS PRODUCT IS CSA APPROVED.
- THIS PRODUCT IS UL RECOGNIZED.
- MEASURED AT THE BOTTOM.
- MATERIAL CONTACT: PHOSPHORBRONZE
HOUSING: CREAM WHITE GLASSFILLED POLYESTER UL-94V0
- CONNECTOR PRINTED WITH P/N AND DATE CODE.
- FOR ACTUAL CONTACT LOADINGS, SEE LOADING PATTERN MATING SIDE.
- SHAPE OF CONNECTOR HOUSING CAN ALTER DEPENDING ON PRODUCTION LOCATION.
- THE PRODUCT (LF) MEETS EUROPEAN UNION DIRECTIVES AND OTHER COUNTRY REGULATIONS AS DESCRIBED IN GS-22-008
- FOR RECOMMENDED PTH DIMENSIONS REFER DRAWING : BS, A , 201572.001

EUROPEAN PATENT

1DEC ±0,2 2DEC ±0,1 ANGLES ±1°	APPR. DRAFT	DATE 1998-05-19	SIGN. H.Frel	LOADING PATTERN OVERVIEW
WE RESERVE THE RIGHT TO CHANGE DIMENSIONS OR REQUIREMENTS WITHOUT PRIOR NOTICE.	CHECKED			CAT. No. HM2P07PCW191----
ALL DIMENSIONS IN MM	PROD_MGR			FCI www.fciconnect.com
	PR_ENG_MGR			SCALE
	PR_MGT_MGR			

REFERENCES



BS, C , 201843, 523 D

DRAWING No. CUSTOMER DRAWING REVISION

PDM: Rev:D

STATUS: Released P: Dec 01 2007

THIS IS OUR EXCLUSIVE PROPERTY. IT IS NOT TO BE COPIED, REPRINTED OR DISCLOSED TO A THIRD PARTY, NOR USED FOR MANUFACTURING WITHOUT OUR WRITTEN CONSENT, AND HAS TO BE RETURNED TO US IN CASE OF NO USAGE

DIT IS ONZE EIGENDOM EN MAG NIET NAGEMAAKT, HERDRUKT, OVERGEMAAKT AAN DERDEN, NOCH VOOR FABRIKATIE GEBRUIKT WORDEN, ZONDER ONZE SCHRIFTELIJKE TOELATING. BIJ NIET GEBRUIK IS TERUGZENDING VERPLICHT.